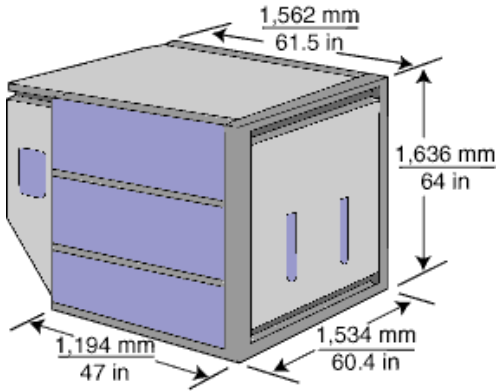


Lower Deck Container-IATA Type 8D-IATA Prefix: APA-APA: LD-2



Maximum Gross Weight
1,225 kg / 2,700 lb

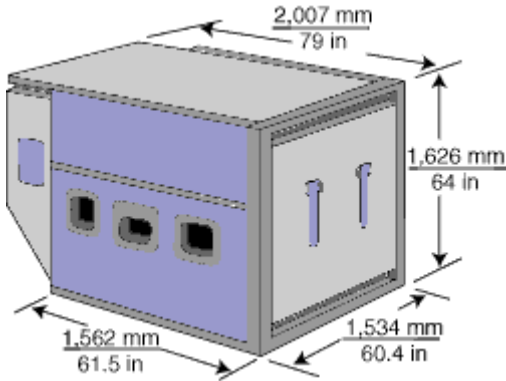
Volume
3.4 m³ / 120 ft³

Tare
60 kg / 132 lb

External Dimensions
(L x W x H)
1,194 mm x 1,534 mm x 1,626 mm
(47 in x 60.4 in x 64 in)

Aircraft Accepted For
777, 767

Lower Deck Container-IATA Type 8-IATA Prefix: AK-ATA: LD-3



Maximum Gross Weight
1,588 kg / 3,500 lb

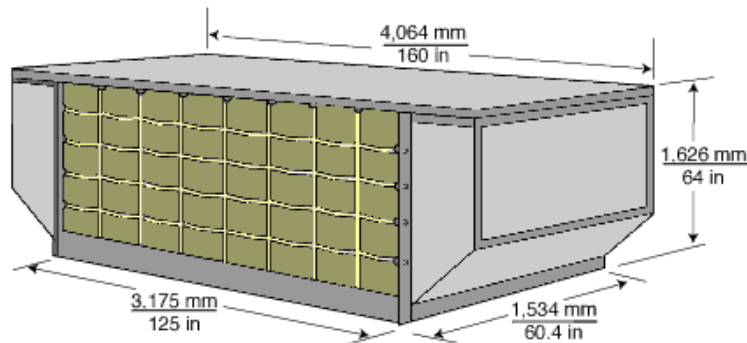
Volume
4.53 m³ / 160 ft³

Tare
70 kg / 154 lb

External Dimensions
(L x W x H)
1,562 mm x 1,534 mm x 1,626 mm
(61.5 in x 60.4 in x 64 in)

Aircraft Accepted For
DC10-30 Freighter, DC10, 747,
777, 767

Lower Deck Container-IATA Type 6-IATA Prefix: ALF-ATA: LD-6



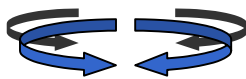
Maximum Gross Weight
3,175 kg / 7,000 lb

Volume
6.94 m³ / 245 ft³

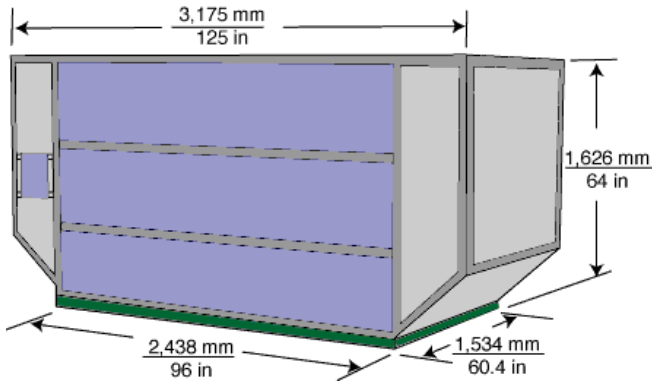
Tare
180 kg / 397 lb

External Dimensions
(L x W x H)
3,175 mm x 1,534 mm x 1,626 mm
(125 in x 60.4 in x 64 in)

Aircraft Accepted For
747, 747F, L1011



Lower Deck Container-IATA Type 6B-IATA Prefix: AQ-ATA: LD-8



Maximum Gross Weight
2,449 kg / 5,400 lb

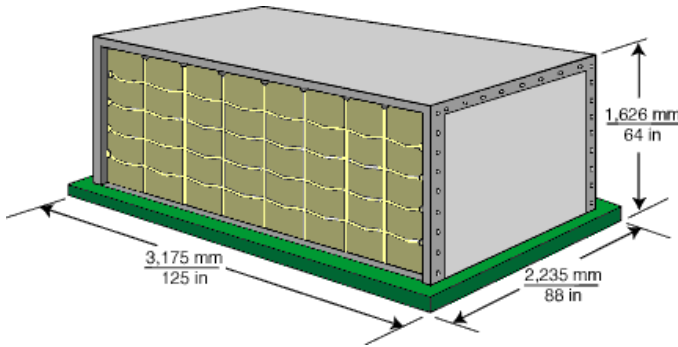
Volume
6.94 m³ / 245 ft³

Tare
120 kg / 264 lb

External Dimensions
(L x W x H)
2,438 mm x 1,534 mm x 1,626 mm
(96 in x 60.4 in x 64 in)

Aircraft Accepted For
777, 767

Container-IATA Type 5-IATA Prefix: AAP-ATA: LD-9



Maximum Gross Weight
6,033 kg / 13,300 lb

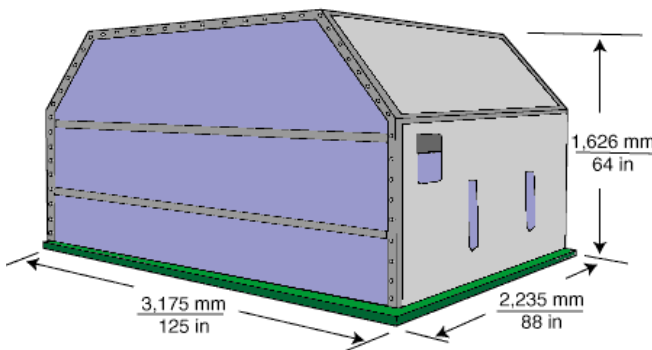
Volume
9.91 m³ / 350 ft³

Tare
200 kg / 440 lb

External Dimensions
(L x W x H)
3,175 mm x 2,235 mm x 1,626 mm
(125 in x 88 in x 64 in)

Aircraft Accepted For
747, 747F, L1011

Upper Deck Container-IATA Type 5-IATA Prefix: AAK-ATA: LD-7



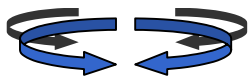
Maximum Gross Weight
6,033 kg / 13,300 lb

Volume
9.91 m³ / 350 ft³

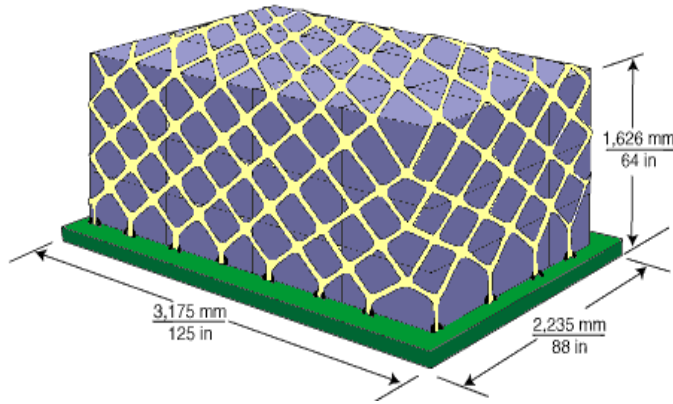
Tare
200 kg / 440 lb

External Dimensions
(L x W x H)
3,175 mm x 2,235 mm x 1,626 mm
(125 in x 88 in x 64 in)

Aircraft Accepted For
N/A



Pallet with Net-IATA Type 5-IATA Prefix: PA



Maximum Gross Weight
4,626 kg / 10,200 lb

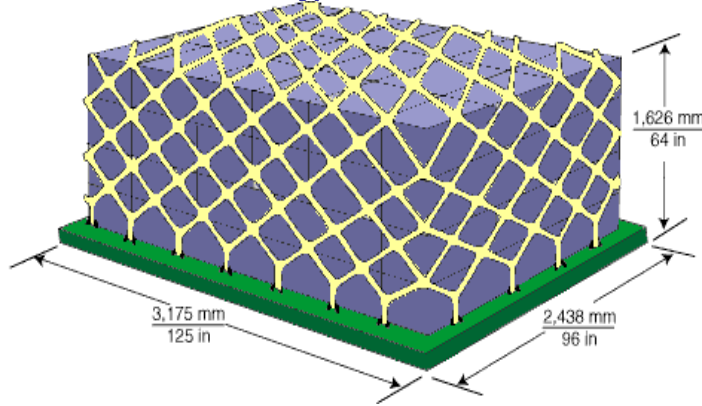
Volume
9.91 m³ / 350 ft³

Tare
120 kg / 264 lb

External Dimensions
(L x W x H)
3,715 mm x 2,235 mm x 1,626 mm
(125 in x 88 in x 64 in)

Aircraft Accepted For
DC10-30 Freighter, DC10-30 747, 747F, 777, 767-300

Pallet with Net-IATA Type 2WA-IATA Prefix: PM



Maximum Gross Weight
5,035 kg / 11,100 lb

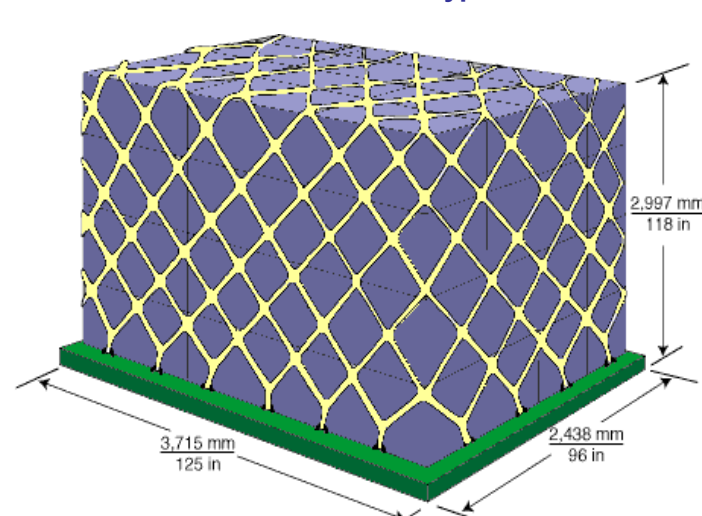
Volume
15.8 m³ / 557 ft³

Tare
130 kg / 287 lb

External Dimensions
(L x W x H)
3,715 mm x 2,438 mm x 1,626 mm
(125 in x 96 in x 64 in)

Aircraft Accepted For
DC10-30, Freighter, DC10-30, 747, 747F

Main Deck Pallet with Net-IATA Type 2H-IATA Prefix: PM



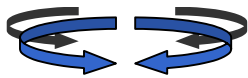
Maximum Gross Weight
6,804 kg / 15,000 lb

Volume
21.16 m³ / 747 ft³

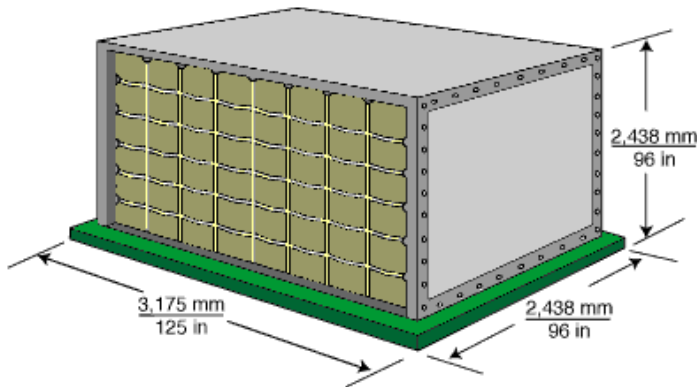
Tare
130 kg / 287 lb

External Dimensions
(L x W x H)
3,715 mm x 2,438 mm x 2,997 mm
(125 in x 96 in x 118 in)

Aircraft Accepted For
DC10-30 Freighter, 747F



Main Deck Container-IATA Type 2/Q-IATA Prefix: AMA



Maximum Gross Weight
6,804 kg / 15,000 lb

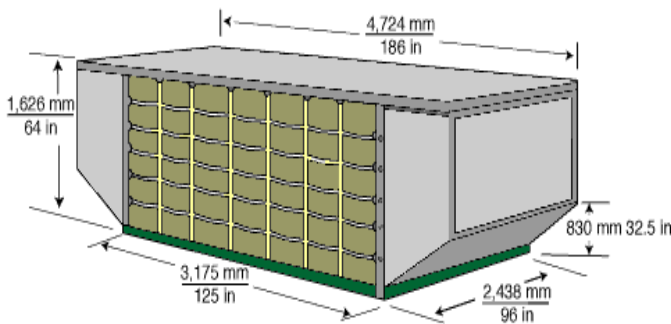
Volume
17.16 m³ / 606 ft³

Tare
260 kg / 572 lb

External Dimensions
(L x W x H)
3,175 mm x 2,438 mm x
2,438 mm
(125 in x 96 in x 96 in)

Aircraft Accepted For
747F

Lower Deck Container-IATA Type 2BG-IATA Prefix: AMU



Maximum Gross Weight
6,033 kg / 13,300 lb

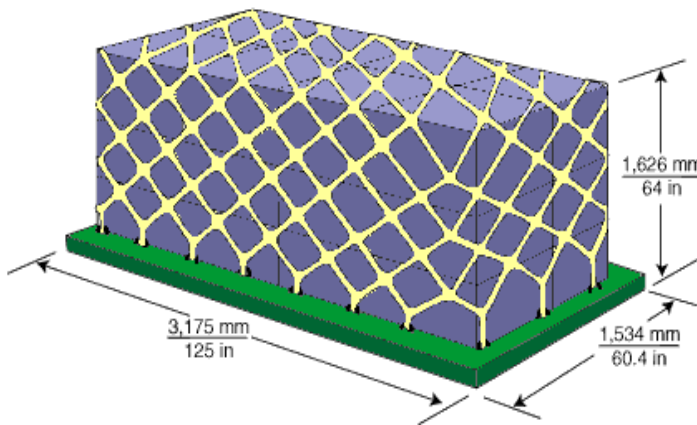
Volume
13.7 m³ / 480 ft³

Tare
200 kg / 440 lb

External Dimensions
(L x W x H)
3,175 mm x 2,438 mm x
1,626 mm
(125 in x 96 in x 64 in)

Aircraft Accepted For
747, 747F

Lower Deck Pallet with Net-IATA Type 6-IATA Prefix: PL



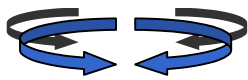
Maximum Gross Weight
3,175 kg / 7,000 lb

Volume
6.94 m³ / 245 ft³

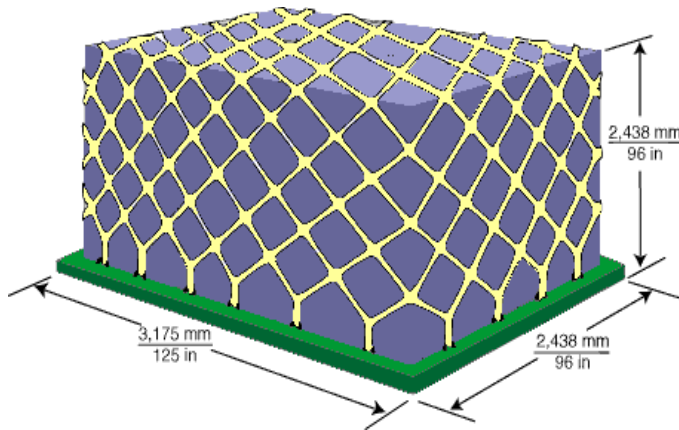
Tare
90 kg / 198 lb

External Dimensions
(L x W x H)
3,175 mm x 1,534 mm x
1,626 mm
(125 in x 60.4 in x 64 in)

Aircraft Accepted For
DC10, DC10-30 Freighter,
747, 777



Main Deck Pallet with Net-IATA Type 2/2Q-IATA Prefix: PM



Maximum Gross Weight
6,804 kg / 15,000 lb

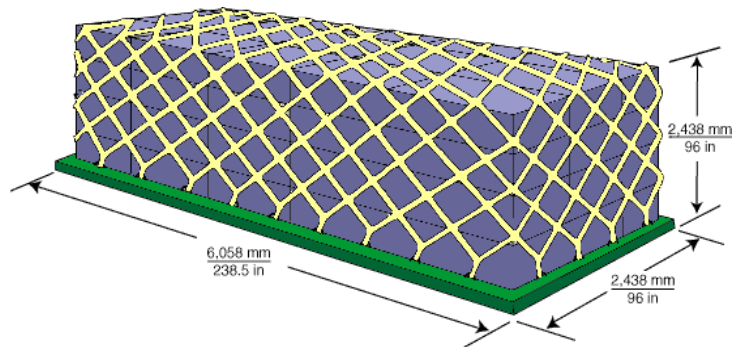
Volume
17.16 m³ / 606 ft³

Tare
130 kg / 287 lb

External Dimensions
(L x W x H)
3,175 mm x 2,438 mm x 2,438 mm
(125 in x 96 in x 96 in)

Aircraft Accepted For
DC10-30 Freighter, 747F

Main Deck Pallet with Net-IATA Type 1/1S-IATA Prefix: PG



Maximum Gross Weight
13,608 kg / 30,000 lb

Volume
33.25 m³ / 1,174 ft³

Tare
400 kg / 882 lb

External Dimensions
(L x W x H)
6,058 mm x 2,438 mm x 2,438 mm
(238.5 in x 96 in x 96 in)

Aircraft Accepted For
DC10-30 Freighter, 747F